

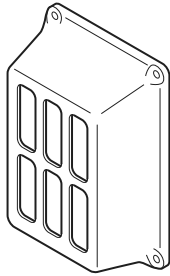
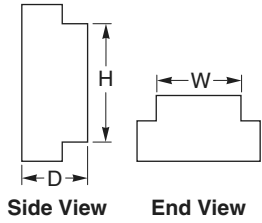
Accessories and Tools

Application
Room thermostat guards protect thermostats from damage and vandalism.

Specifications

- Construction: Cast aluminum guard with steel base plate.
- Mounting: To standard outlet or directly to the wall.
- Dimensions: 4-1/4 H x 3-1/8 W x 1-5/8 D in. (108 x 79 x 41 mm).
- Refer to F-07930 for complete applications.

AT-1104
Thermostat Guard

Guard/Thermostat Combinations

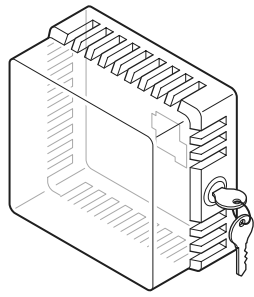
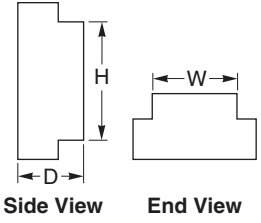
Model No.	Single Thermostat		Single Humidity, Temperature or Sensing Element	
	HC-101, TA-1101, TA-1102, TA-1501, TC-1100 Series	HKS-5033, TK-1xxx, TK-5xxx, TKR-1xxx, TKR-5xxx, TKS-5001	TP-8101, TP-8102, TS-5191, TS-5711, TS-5811, TS-8101, TS-811x, TS-8811, TSP-8x15x	TP-8124
AT-1104	X	X	X	X

Application
Room thermostat guard protects thermostats from damage and vandalism.

Specifications

- Construction: Clear plastic guard with solid and ring base, tumbler type key lock.
- Mounting: To standard outlet or directly to the wall.
- AT-1155 only: Included: Mounting ring for installation over installed thermostats without their removal from the wall.
- Dimensions: AT-1105: 3-7/8 H x 3-1/2 W x 2-1/2 D in. (98 x 89 x 63 mm). AT-1155: 6-1/4 H x 5-1/2 W x 3-1/4 D in. (159 x 140 x 83 mm).
- Refer to F-07930 for complete applications.

AT-1105, AT-1155
Thermostat Guard

Guard/Thermostat Combinations

Model No.	Single Thermostat			Single Humidity, Temperature or Sensing Element			Dual Thermostat
	HC-101, TA-1101, TA-1102, TA-1501, TC-1100 Series, TP-1011, TP-1031	HKS-5033, TK-1xxx, TK-5xxx, TKR-1xxx, TKR-5xxx, TKS-5001	Any 2 x 2 Wall Mounted Device	TP-8101, TP-8102, TS-5191, TS-5711, TS-5811, TS-8101, TS-811x, TS-8811, TSP-8x15x	TS-57011 Series, TS-81001 Series, TS-90110, TSP-8x351	TP-8124	TC-1151, TC-1161
AT-1105	X	X	X	X		X	
AT-1155	X ^a	X	X	X ^a		X	X

^a With or without AT sub-bases.