

Description

The KMC VEP-5800 Series control valves are 2-way, straight-through valves designed for control of hot water, chilled water or saturated steam.

Valves are single-seated and range in size from 2-1/2" to 6" with equal percentage flow characteristics. Self-adjusting, V-ring Teflon packing and stainless steel stems make these valves ideal for many applications.

These control valves utilize the ControlSet Actuators. An optional "fail-safe" feature allows failure to an open or closed position upon loss of 24 VAC supply. A gear disengagement feature allows positioning of the valve stem/ plug without energizing the actuator.

Features

- ◆ Equal percentage flow characteristics
- ◆ Self-adjusting V-ring Teflon packing
- ◆ Stainless steel stems
- ◆ Gear disengagement feature allows manual valve operation
- ◆ "Fail-safe" option

Accessories

The following accessories are available:

HPO-5088	V-ring packing kit
CME-7001	Single auxiliary switch
CME-7002	Dual auxiliary switch

Models

Use the table (right) to make your model selection(s):



VEP- 58 WW X YYY

Input

- 5: 2-10 VDC Input
- 6: Tri-State

Actuator

- 645: MEP-7002
- 656: MEP-7003
- 675: MEP-7052
- 686: MEP-7053
- 945: MEP-7702
- 956: MEP-7703
- 975: MEP-7752
- 986: MEP-7753
- A45: MEP-7702, Qty 2
- A56: MEP-7703, Qty 2
- A75: MEP-7752, Qty 2
- A86: MEP-7753, Qty 2

Flange Rating

- 1: 125# flange w/bronze trim*
- 2: 250# flange w/stainless steel trim
- 3: 125# flange w/stainless steel trim
- 4: 250# flange w/bronze trim*

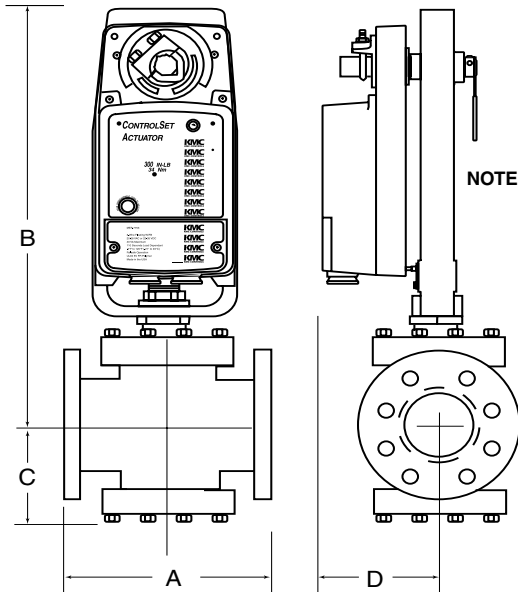
Size / Cv Range

- 70: 2-1/2" = 65
- 71: 3" = 90
- 72: 4" = 170
- 73: 5" = 255
- 74: 6" = 335

* Do not use bronze trim for water service if close-off pressure exceeds 100 PSID, or if steam service inlet pressure exceeds 40 PSIG.

Details

All dimensions in inches (mm).

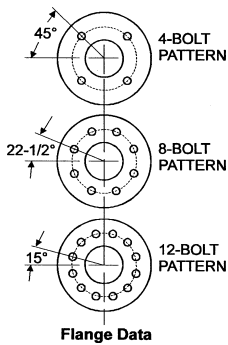


Temperature/Pressure Chart		
Medium Temperature °F (°C)	Body Rating; PSI (kPa)	
	125# Flange	250# Flange
32° (0) to 150° (66)	175 (1207)	400 (2758)
175° (79)	170 (1172)	385 (2655)
200° (93)	165 (1138)	370 (2551)
225° (107)	157 (1083)	355 (2448)
250° (121)	150 (1034)	340 (2344)

Close-Off Ratings/ Product Weights						
SIZE	Cv	PSI (kPa) Close-Off Rating			Weight in pounds (kg)	
		(1) MEP-7000's	(1) MEP-7700's	(2) MEP-7700's	125# Flanges	250# Flanges
2-1/2"	65	39.5 (272)	97 (669)	na	63 (29)	74 (34)
3"	90	25 (172)	65 (448)	na	74 (34)	87 (40)
4"	170	na	18 (124)	46 (317)	122** (55)	141** (64.0)
5"	255	na	10 (81)	28 (193)	141** (64)	176** (79.8)
6"	335	na	na	18 (124)	188 (85)	248 (113.0)

**add 5 pounds (2.3 kg) for second actuator

"G" = Diameter of Holes
 "F" = Quantity of Holes
 "E" = Bolt Circle Diameter



DIMENSIONS												
Size	All Valves		125# Flange					250# Flange				
	B	D	A	C	E	F	G	A	C	E	F	G
2-1/2"	17.69 (449.3)	4.19 (106.4)	9 (228.6)	4.56 (115.8)	5.5 (139.7)	4	.75 (19.1)	9.63 (244.8)	4.56 (115.8)	5.88 (149.4)	8	.88 (22.4)
3"	18.5 (469.9)	4.19 (106.4)	10 (254)	5.25 (133.4)	6 (152.4)	4	.75 (19.1)	10.75 (273.1)	5.25 (133.4)	6.63 (168.4)	8	.88 (22.4)
4"	19.56 (496.8)	4.19 (106.4)	13 (330.2)	6.19 (157.2)	7.5 (190.5)	8	.75 (19.1)	13.63 (346.2)	6.19 (157.2)	7.88 (200.2)	8	.88 (22.4)
5"	20.19 (512.8)	4.19 (106.4)	15.75 (400.1)	5.63 (143.0)	8.5 (215.9)	8	.88 (22.4)	16.63 (422.4)	5.63 (143.0)	9.25 (235.0)	8	.88 (22.4)
6"	20.81 (528.6)	4.19 (106.4)	17.75 (450.9)	6.38 (162.1)	9.5 (241.3)	8	0.88 (22.4)	18.63 (473.20)	6.38 (162.1)	10.63 (270.0)	12	0.88 (22.4)

Specifications

Action	Stem up: open; Full CCW Stem down: closed; Full CW
Rangeability	50 to 1
Body Rating	See chart above
Valve Sizes	2-1/2" to 6"
Body Type	Single seated, ANSI Class 125 or 250, flanged connections
Flow Characteristics	Equal percentage
Cv Rating	See chart above
Material	
Valve	Iron body; 316 Stainless steel stem; Bronze or stainless steel trim; self-adjusting, V-ring Teflon packing
Actuator	Black flame retardant polymer; UL94-5V plenum rating
Linkage	MEP-7000's Glass-filled nylon MEP-7700's All metal
Leakage Rate	<0.1%

Actuators	See "Models" Chart
MEP-7002	150 in-lb, 2-10 VDC
MEP-7003	150 in-lb, Tri-State
MEP-7052	150 in-lb, 2-10 VDC, fail-safe
MEP-7053	150 in-lb, Tri-State, fail-safe
MEP-7702	300 in-lb, 2-10 VDC
MEP-7703	300 in-lb, Tri-State
MEP-7752	300 in-lb, 2-10 VDC, fail-safe
MEP-7753	300 in-lb, Tri-State, fail-safe
Temperature Limits	See charts above
Medium	32° to 250° F (0° to 121° C)
Ambient	35° to 120° F (2° to 49° C)

KMC Controls, Inc.
 19476 Industrial Drive
 New Paris, IN 46553
 574.831.5250
www.kmcccontrols.com