

Description

The KMC REE-2101/2102 Solid State Relays provide zero-crossing triac switching for use in building automation systems or any system where transients may pose a problem.

The REE-2101 relay provides four separate outputs while the REE-2102 provides a single output. A status LED is associated with the output of each relay to indicate when the output is switched on. An Auto-Manual-Off jumper is provided so the output may be overridden.

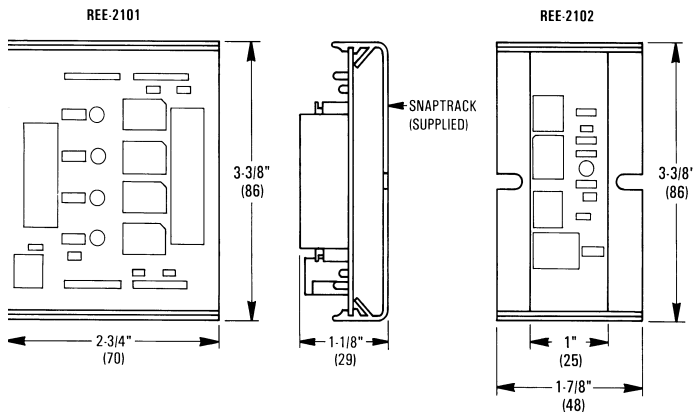
Models

The following models are available:

REE-2101	Four triac output w/zero-crossing switching
REE-2102	Single triac output w/zero-crossing switching

Details

All dimensions are in inches



Specifications

Output Rating	12 VAC min to 30 VAC max
Control Input Power	10 to 14 VDC, 18 to 30 mA
Auxiliary Power*	
REE-2101	10 to 14 VDC, 72 to 120 mA
REE-2102	10 to 14 VDC, 18 to 30 mA

* Auxiliary Power is only required to enable manual-override functions



Connections

Input/Output	Screw terminals for 18–22 AWG copper
Auxiliary Power	Screw Terminals for 18–22 AWG Copper or 2.5 mm female connector

Mounting

Provided with 3.25" (83 mm) snap-track; not position sensitive

Material

ABS, UL Flame Class 94HB

Weight

REE-2101	2.6 oz. (74 grams)
REE-2102	1.2 oz. (34 grams)

Temperature Limits

Operating	0° to 120°F (-18° to 49°C)
Shipping	-40° to 140°F (-40° to 60°C)

KMC Controls, Inc.

19476 Industrial Drive
New Paris, IN 46553
574.831.5250

www.kmccontrols.com