

Description

The MEP-5223 and MEP-5233 are replacement damper actuators designed for residential dampers. The 24 VAC direct-coupled actuator provides smooth and quiet performance. These actuators are intended for replacement on series B and C style dampers only; not the A series dampers. The MEP-5223 is intended for replacement on round dampers with a fully closed blade angle of 45 degrees. The MEP-5233 is intended for replacement on rectangular dampers with a fully closed blade angle of 90 degrees.

Features

- ◆ 1/2" (12.7 mm) direct-coupled mounting for securing to damper blade shaft.
- ◆ Position indicator and angular rotation stop for viewing and setting minimum and maximum damper positions.
- ◆ Disengagement feature to manually position actuator and damper blade.
- ◆ Enclosure to protect wiring connections.

Application

The MEP-5223 and MEP-5233 actuators are intended for series B and series C, residential zone damper-actuator replacement.

Accessories

HFO-0011	3/8 inch (9.5 mm) shaft adaptor
HMO-4531	Non-rotation bracket

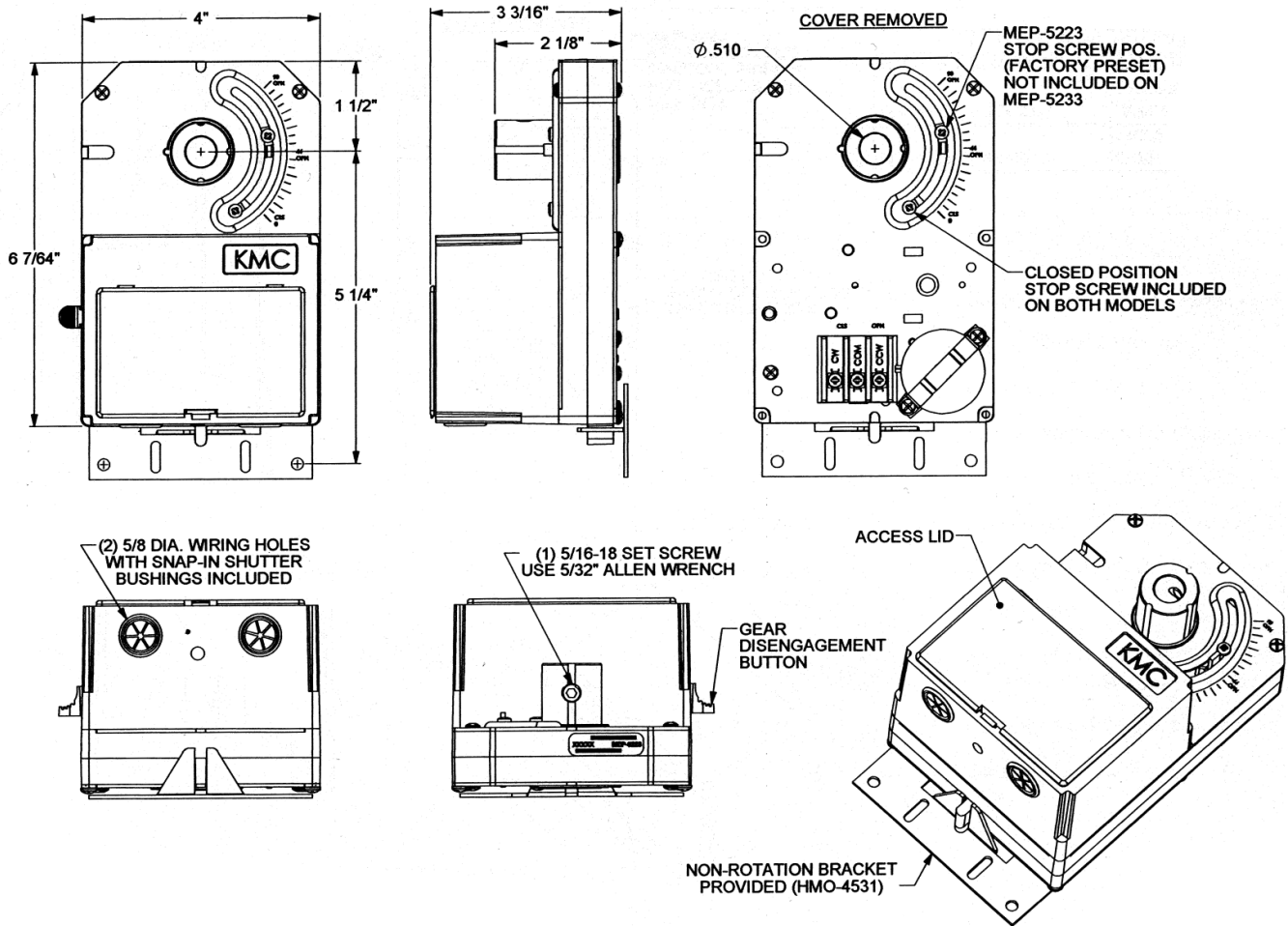


Models

MEP-5223	15 second/ 45 degree, Tri-state Replaces: ◆ Carrier DAMPACT45DEG ◆ Carrier 33CC500621 ◆ KMC MEP-5203-30
MEP-5233	15 second/ 90 degree, Tri-state Replaces: ◆ Carrier DAMPACT90DEG ◆ Carrier 33CC500623 ◆ KMC MEP-5213-30 ◆ Johnson M9101-AGA-2N2

Details

All dimensions in inches.



Specifications

Control Input 24 VAC, +20%/-15%, Tri-state

Supply Power 2 VA maximum, Tri-state

Running Time

MEP-5223 15 seconds/ 60 Hz
18 seconds/ 50 Hz

MEP-5233 15 seconds/ 60 Hz
18 seconds/ 50 Hz

Angular Rotation

MEP-5223 45 degrees

MEP-5233 90 degrees

Minimum Output Torque

10 in-lb (1.1 N•m) running

Connections Plated screw terminals for 14-22 AWG Cu

Enclosure Black, flame retardant polymer with UL94-5V plenum rating.

Weight 2 lbs. (0.9 kg)

Dimensions 6-7/64" H x 4" W x 3-3/16" D
(155 x 102 x 81 mm)

Temperature Limits

Operating 32° to 140° F (0° to 60° C)

Shipping -40° to 150° F (-40° to 65° C)

KMC Controls, Inc.

19476 Industrial Drive

New Paris, IN 46553

574.831.5250

www.kmccontrols.com