

Description

The KMC HPO-5200 Series Linkage Kits are designed to replace linkages on VEP-4000 and VEP-5000 valves.

Kits are available for 1/2" to 2" VEP-4000 series globe valves and 2-1/2" to 6" VEP-5000 flanged valves. Hardware for mounting the linkage to the valve, and the actuator to the linkage, are included with the kit. The MEP-7000, MEP-7700, MEP-5000 and MEP-1200 series actuators must be ordered separately.



Features

- ◆ Fits 1/2" to 2" VEP-4000 valves and 2-1/2" to 6" VEP-5000 valves
- ◆ Mounting hardware included
- ◆ Accepts a variety of KMC actuators applicable to each valve (ordered separately)

Models

Refer to the table (right) to chose the linkage kit for your application.

Linkage Kits for VEP-4000 Globe Valves:

HPO-5201 For use w/MEP-5000 actuator*

HPO-5202 For use w/MEP-1200 actuator*

* Actuators must be ordered separately.

Linkage Kits for VEP-5000 Flanged Valves:

HPO-5205 Plastic Linkage Kit; for use with MEP-70XX**

HPO-5207 Metal Linkage Kit; for use with MEP-77XX**

HPO-5208 Metal Linkage Kit; for use with MEP-77XX**

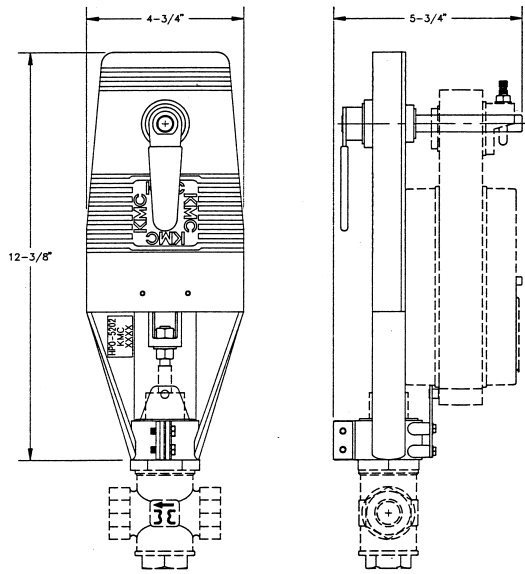
HPO-5209 Metal Linkage Kit; for use with Dual MEP-77XX**

** Actuators must be ordered separately.

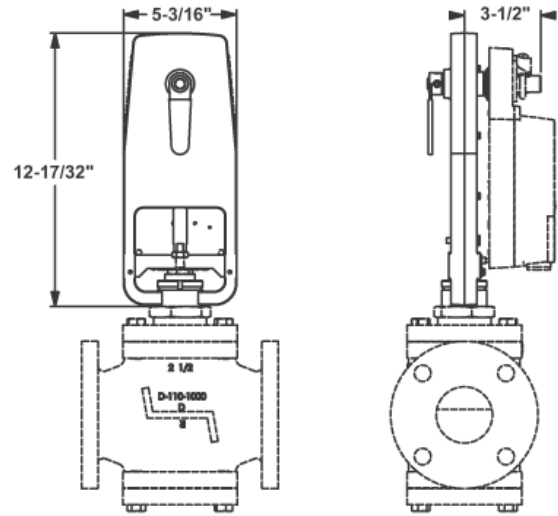
Flanged Valve	Valve Size	Valve Lift	HPO-5205	HPO-5207	HPO-5208	HPO-5209
2-Way Single Seat (VEP-5800)	2.5"	0.75	X	X		
	3"	0.75	X	X		
	4"	1.25			X	X
	5"	1.375			X	X
	6"	1.375				X
2-Way Double Seat (VEP-5500)	2.5"	0.75	X			
	3"	0.75	X			
	4"	0.75	X			
	5"	1.25			X	
	6"	1.25			X	
3-Way Mixing (VEP-5300)	2.5"	0.75	X	X		
	3"	0.75	X	X		
	4"	1.375			X	X
	5"	1.375				X
	6"	1.375				X
3-Way Diverting (VEP-5400)	2.5"	0.75	X			
	3"	0.75	X			
	4"	0.75	X			
	5"	1.25			X	
	6"	1.375			X	

Details

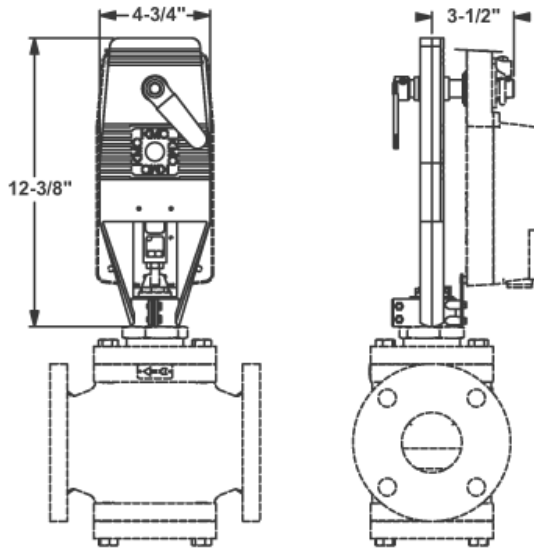
All dimensions are in inches



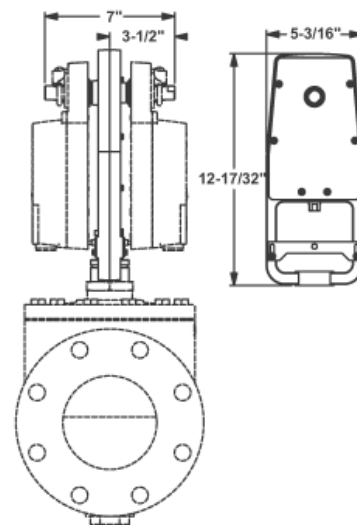
HPO-5201, 5202



HPO-5207, 5208



HPO-5205



HPO-5209

Specifications

Material

HPO-5201, 5202	Glass filled nylon
HPO-5205	Glass filled nylon
HPO-5207-5209	Cast aluminum with steel rack and pinion

Weight

HPO-5201, 5202, 5205	2.12 lbs. (0.96 kg)
HPO-5207 to 5209	6.12 lbs. (2.78 kg)

Temperature Limits

Medium	32° to 250° F (0° to 121°C)
Ambient	35° to 120° F (2° to 49° C)
Shipping	-40° to 140° F (-40 to 60°C)

KMC Controls, Inc.

19476 Industrial Drive
New Paris, IN 46553
574.831.5250
www.kmcccontrols.com