

Description

The KMC CTC-4001 and CTC-4004 thermostats are designed as thermally powered, 3-way switching devices for conditioned airstreams of HVAC systems. A signal can be diverted to one of two circuits based on duct temperature. This is useful in applications such as disabling electric heaters when hot air is present in the ductwork.

The factory set-point span of the CTC-4001 is 70° to 75° F (21° to 24° C) and the CTC-4004's is 65° to 70° F (18° to 21° C) allowing the units to sense, and differentiate, between heating and cooling airstreams.

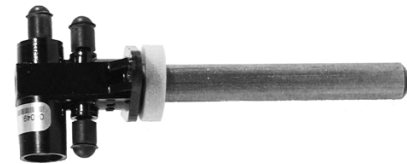
For single duct, heating-cooling change-over on VAV units, install the CTC-4001 or CTC-4004 in the box inlet collar. Supplied with two signals from a heating-cooling thermostat, the CTC-4001 or CTC-4004 can switch the box to the control of the correct signal based on duct temperature.

Models

CTC-4001	Set-point span 70° to 75° F (21° to 24° C)
CTC-4004	Set-point span 65° to 70° F (18° to 21° C)

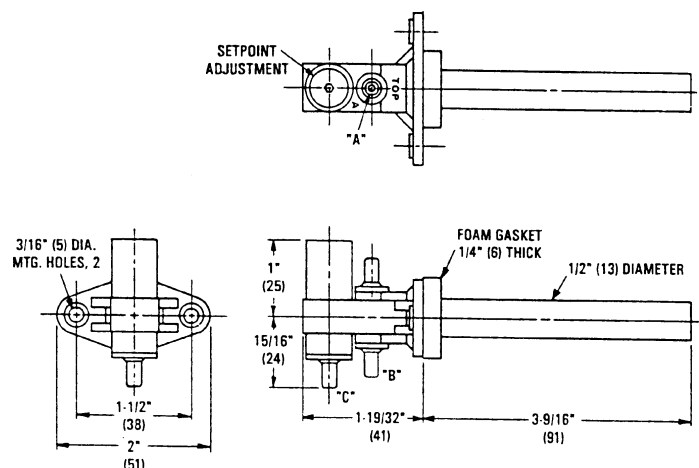
Specifications

Mounting	Element horizontal, port "A" up
Connections	3/16"(5 mm) fittings for 1/4" (6 mm) OD polyethylene tubing
Material	Polycarbonate and brass
Port Markings	"A" - NO; closed above 75° F (24° C) "B" - NC; closed below 70° F (21° C) "C" - Common (filtered)
Weight	2 oz. (57 grams)
Temperature Limits	
Operating	40° to 120° F (4° to 49° C)
Shipping	-40° to 140°F (-40° to 60°C)



Details

All dimensions in inches (mm).



!CAUTION

Pneumatic devices MUST operate with CLEAN, DRY, control air. Any other medium will result in the device's eventual failure.

KMC Controls, Inc.

19476 Industrial Drive

New Paris, IN 46553

574.831.5250

www.kmcccontrols.com